

# FORCE *i*

Force *i* Monitor  
12-Inch Two-Way Full-Range  
Speaker System



## Key Features:

- RoadWood™ Trapezoidal Enclosure
- Super Low Profile
- Lightweight—only 28 lbs (12.7 kg)
- RMD™ - Ring-Mode Decoupling
- 1-inch Compression Driver
- 80° x 55° True Constant-Directivity Horn
- High Power Crossover Network
- PTP™ Power Tracking Protection
- Built-in Metal Stand Mount
- Manufactured in the United States



## General Description:

As the entry-level EV speaker series, Force *i* Series is anything but amateur. Built for the professional on a budget, Force *i* Series boasts great sound, portability and outstanding value. Each Force *i* system is easy to transport and simple to setup making it perfect for performers, DJs on the go, school functions, bands, or anywhere great sound and portability are required. Featuring integrated metal stand mounts, durable heavy duty carpet enclosure covering, and ergonomic handles, Force *i* Series is ready to handle the abuse of the road. Tops and subs are designed to work together as a system, efficiently using a single amplifier channel to drive both. EV components with concert sound lineage provide outstanding intelligibility and sound quality that will make everyone think you paid twice the price!

Designed for the ultimate in compact performance, the Force *i* Monitor utilizes an efficient 12-inch woofer with patented EV Ring Mode Technology (RMD). The result is an outstanding monitor loudspeaker with crystal clear reproduction of vocal frequencies. The 55 x 80 low-distortion Constant Directivity horn puts the sound precisely where you aim it, and 500 watts of program power handling capability ensures plenty of punch to cut through a high volume stage. In addition to monitor duties, the Force *i* Monitor works seamlessly with the Force *i* Sub for an ultra compact multi-purpose system.

For maximum performance, mount a Force *i* Monitor on a Force *i* Sub and power both units with one channel of an Electro-Voice CP2200 power amplifier, or Dynacord Powermate powered mixer.

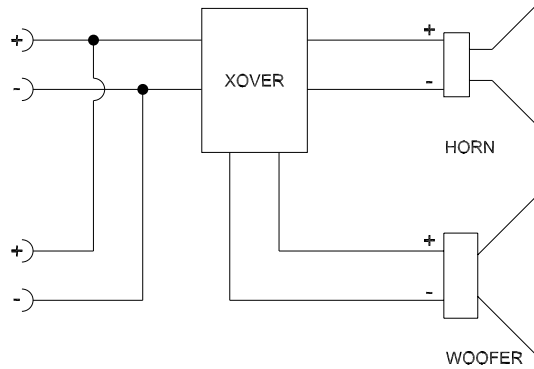
## Technical Specifications:

Freq. Response (-3 dB) <sup>2</sup> :	110Hz - 13kHz
Freq. Range (-10 dB) <sup>2</sup> :	90Hz - 18kHz
Continuous Pwr Handling <sup>1</sup> :	250W
Program Pwr Handling <sup>1</sup> :	500W
Short Term Pwr Handling <sup>1</sup> :	1,000W
Dispersion	80° x 55°
Sensitivity (1W / 1m):	99 dB
Impedance (Nominal):	8 ohms
Max. Calc. SPL Output:	129 dB @ 1m
Enclosure:	Heavy Duty Black Carpet (useable at 50° or 65°)
Connectors (Standard/E):	1/4-inch Phone Jack/Speakon NL4
Grille:	Powder Coated Steel
Dim (H x W x D) in:	21.2" x 13.8" x 9.7"
Dim (H x W x D) mm:	538 mm x 351 mm x 247 mm
Net Weight:	28 lbs (12.7 kg)
Shipping Weight:	33 lbs (15.0 kg)

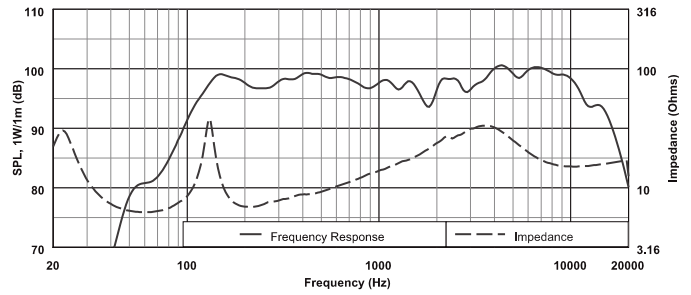
<sup>1</sup> EIA-RS426A

<sup>2</sup> Frequency Response 1/2 Space

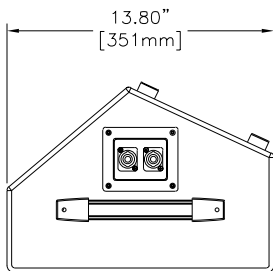
## Block Diagram:



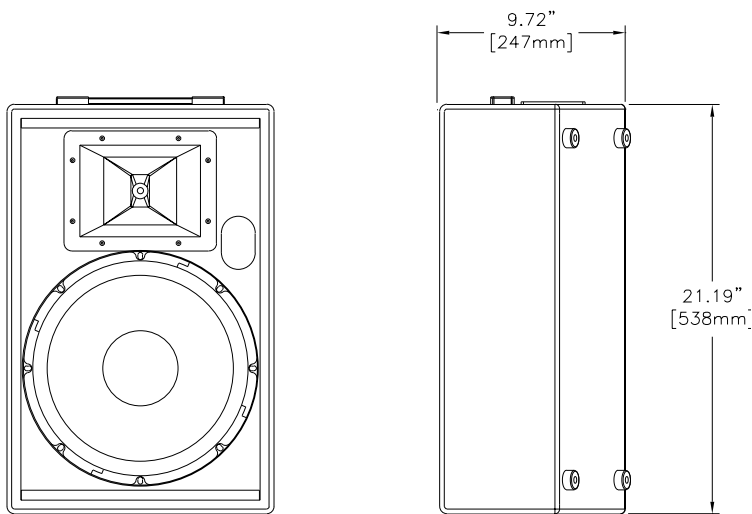
## Frequency Response:



## Dimension Drawings:



Top



Front

Side

## Performance Match:

- Force i -- 15" Two-Way Loudspeaker
- Force i Sub -- 18" Subwoofer
- CP2200 Power Amplifier



12000 Portland Avenue South, Burnsville, MN 55337

Phone: 952/884-4051, Fax: 952/884-0043

[www.electrovoice.com](http://www.electrovoice.com)

© Telex Communications, Inc. 8/2006

Part Number 38110-099 Rev B

U.S.A. and Canada only. For customer orders, contact Customer Service at:

**800/392-3497 Fax: 800/955-6831**

Europe, Africa, and Middle East only. For customer orders, contact Customer Service at:

**+ 49 9421-706 0 Fax: + 49 9421-706 265**

Other International locations. For customer orders, contact Customer Service at:

**+ 1 952 884-4051 Fax: + 1 952 736-4212**

For warranty repair or service information, contact the Service Repair department at:

**800/685-2606**

For technical assistance, contact Technical Support at: **866/78AUDIO**

Specifications subject to change without notice.